



Maximum performance using the smallest space:
Intuitive to use, perfect for soft-material indications

Our compact and easy to use dental milling machine provides dental laboratories and dentists with new opportunities for cost-effective work and sets new standards in the implementation of all dental indications in soft materials. As your reliable partner with long-standing global experience, you will get from us the complete process for the production of high quality dentures, everything from a single source.



Uses standard dental blanks (Ø 98.5 mm).
For machining of soft materials such as zirconium oxide, PMMA, model materials and wax.



Automatic 7-fold tool changer with tool length sensor




DentalControl^{one}
Easy to use **DATRON** interface with Touch Screen



5-axis simultaneous machining

Extremely small footprint
(41 x 54 x 66.8 cm)

The machine package includes:

DATRON Dental CAM

- + DATRON milling strategies for common indications are integrated
- + Easy-to-use user interface
- + 5-axis calculation
- + Fast calculation times
- + Direct service and support provided by DATRON
- + For soft materials
- + Real-time simulation
- + Automatic collision control
- + Integrated DATRON milling tool list

Remote maintenance

- + Remote maintenance via TeamViewer

Suction

- + Includes suction system and built-in Hepa micro particle filter for fine dusts

Materials

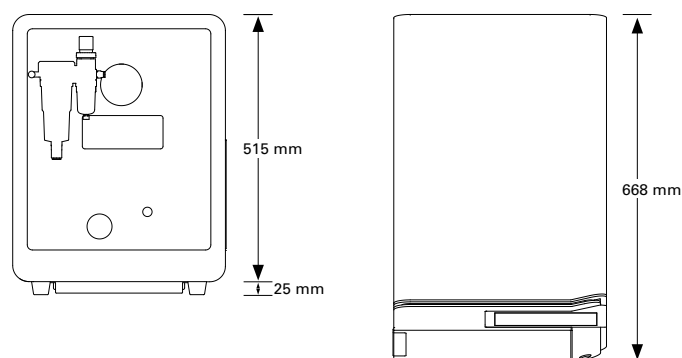
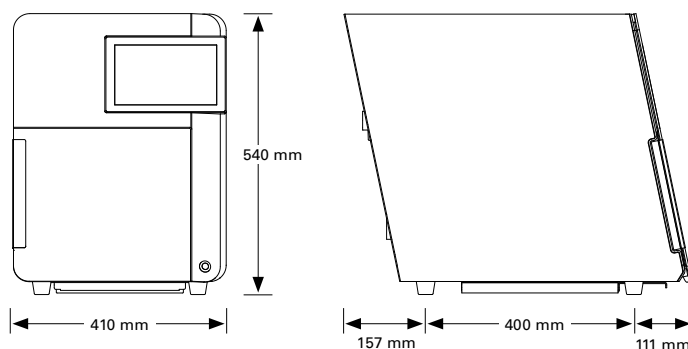
- + Two wax blanks (to calibrate the machine)

Accessory set

- + Measuring equipment, cleaning utensils, blank holder

Machine Features

- + Machine auto-calibration
- + Undercut milling by rotary/swivel axis
- + Precise 450 W spindle
- + Automatic length measuring
- + Easy operation with integrated 9" touch screen
- + Compact table-top milling machine with a small footprint
- + Perfect suction of material dusts
- + Easy commissioning



Technical Data

Dimensions (W x H x D)	41 x 54 x 67 cm
Weight	approx. 70 kg
Spindle	450 W, 30,000 1/min,
Tool changer	Up to 7 tools with tactile tool length sensor
Angle ranges Rotary swivel axis	A- and B-axis: up to $\pm 25^\circ$ (both sides)
Workpieces	Standard dental blanks with 10 mm shoulder; $\varnothing 98.5$ mm
Air connection	Air pressure: 6.5–7.0 bar air pressure at 200 l/min
Power rating	230 V Schuko socket
Article Number	0A35001

Precise. Performant. Pure.

© 2015 DATRON AG

The information in this brochure includes current descriptions and features which may change due to ongoing product development. Descriptions and features are only binding if expressly agreed in writing when concluding the contract.

www.dentalcam.com

DATRON AG
In den Gänsäckern 5
64367 Mühlthal, Germany

Phone: +49(0)61 51 - 14 19 - 0
Fax: +49(0)61 51 - 14 19 - 690
www.datron.de