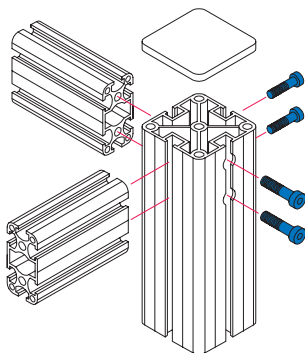


Profile Connections

Example:
PS 50 with PU 50



Hexagon-Socket Screws

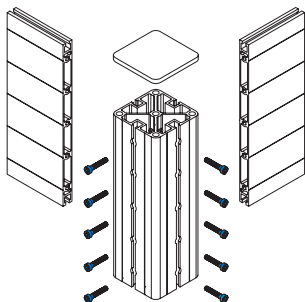
Hexagon-Socket Screws
M6 x 25 mm

- 10 pieces
Item no.: **209 147 0009**
- 50 pieces
Item no.: **209 147 0010**

Hexagon-Socket Screws
M6 x 50 mm

- 10 pieces
Item no.: **209 147 0003**
- 50 pieces
Item no.: **209 147 0004**

Example:
PS 50 mit PP 250



Hexagon-Socket Screwdriver
SW 5

- DIN 911
- 1 piece
Item no.: **931 152**

Threaded Bushes

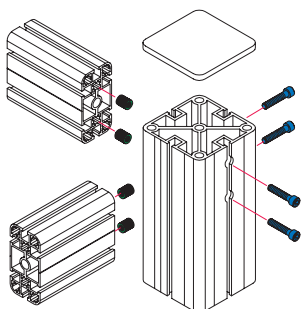
Threaded Bushes
M9 / M6

- 10 pieces
Item no.: **209 147 0001**
- 50 pieces
Item no.: **209 147 0002**

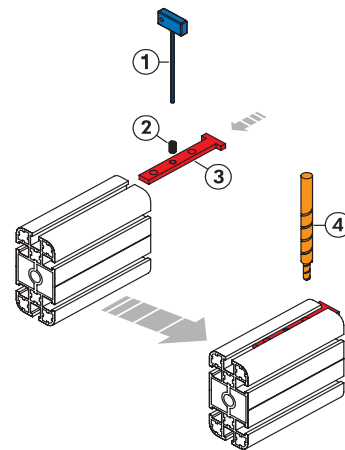
Threaded Bushes
M10 / M6

- 10 pieces
Item no.: **209 147 0124**
- 50 pieces
Item no.: **209 147 0125**

Example:
PS 80 mit PL 80



Example:
PL 80



- ① Hexagon-Socket Screwdriver
- ② Grub Screw
- ③ Drilling Template
- ④ Twist Drill
Ø 6 mm / Ø 10.4 mm

Example: PL 80

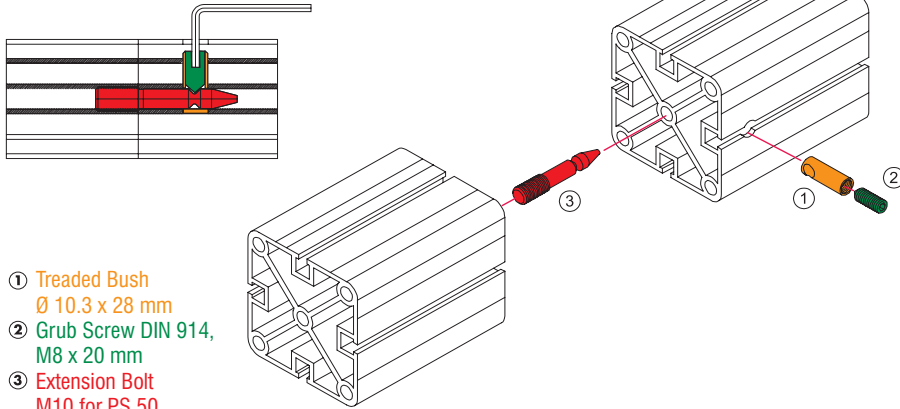
Drilling Template 1
Art.-Nr.: **290 015 0001**

Drilling Template 2
Art.-Nr.: **290 015 0002**

Twist Drill
• Ø 6 / Ø 10,4 mm
Art.-Nr.: **400 090**

Profile Fast-Clamped Extension

Example:
Profile Fast-Clamped Extension for PS 50



for PS 50 / PL 40 (M10)

• threaded bush, grub screw, extension bolt

• 10 sets
Item no.: **209 147 0120**

• 50 sets
Item no.: **209 147 0121**

for PS 80 / PL 80 (M12)

• threaded bush, grub screw, extension bolt

• 10 sets
Item no.: **209 147 0122**

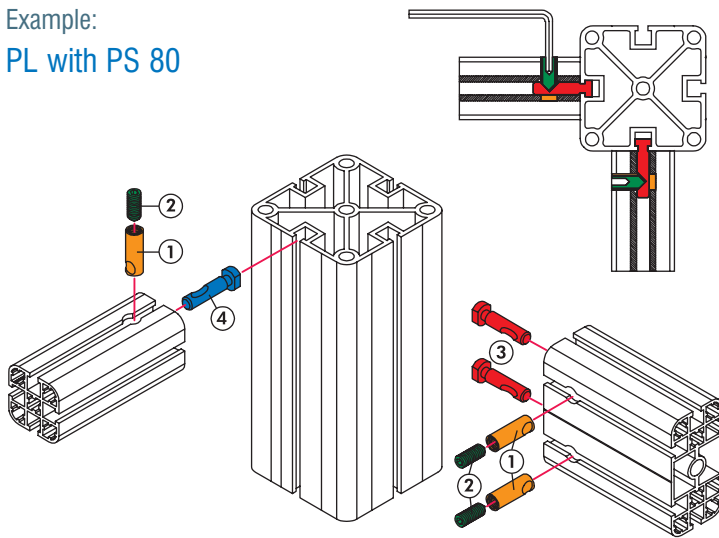
• 50 sets
Item no.: **209 147 0123**

matching Drilling Template 2

Item no.: **290 015 0002**

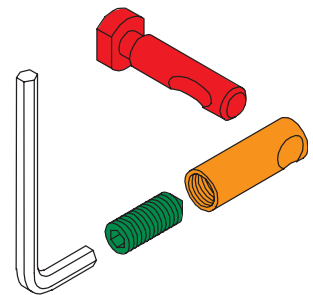
Profile Fast-Clamped Connections

Example:
PL with PS 80



- ① Treaded Bush \varnothing 10.3 x 28 mm
- ② Grub Screw DIN 914, M6 x 20 mm
- ③ Connection Bolt 0° for PL 40 and PL 80
- ④ Connection Bolt 90° for PL 40 and PL 80

Fast-Clamped Connection 0°
for PL / PS 80



Fast-Clamped Connection 0°

for PL / PS 80

- threaded bush, grub screw, bolt 0°
- 10 sets
Item no.: **209 147 0102**
- 50 sets
Item no.: **209 147 0103**

Twist Drill

- \varnothing 6 mm / \varnothing 10,4 mm
- Item no.: **400 090**

matching Drill Template 2

Item no.: **290 015 0002**

Hexagon-Socket Screwdriver
SW 3

- DIN 911

Item no.: **931 150**

Fast-Clamped Connection 90°

für PL / PS 80

- threaded bush, grub screw, bolt 90°
- 10 sets
Item no.: **209 147 0112**
- 50 sets
Item no.: **209 147 0113**

Twist Drill

- \varnothing 6 mm / \varnothing 10,4 mm
- Item no.: **400 090**

matching Drill Template 2

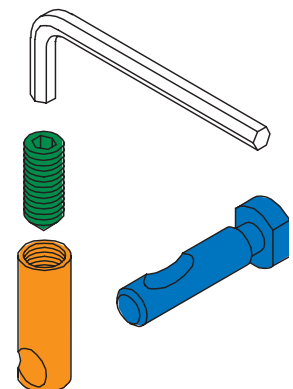
Item no.: **290 015 0002**

Hexagon-Socket Screwdriver
SW 3

- DIN 911

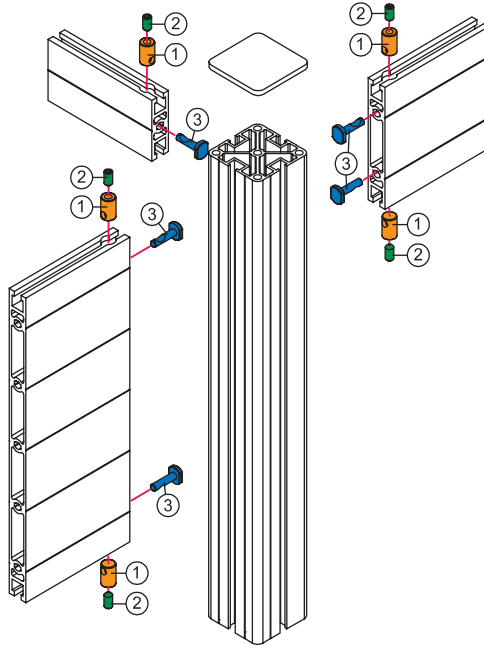
Item no.: **931 150**

Fast-Clamped Connection 90°
for PL / PS 80



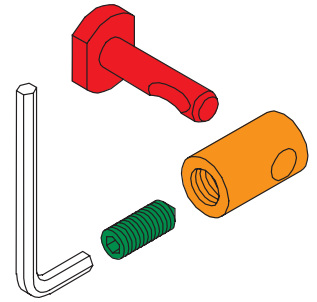
Profile Fast-Clamped Connections

Example:
PP with PS 50



- ① Treaded Bush $\text{\O} 10.3 \times 16,5 \text{ mm}$
- ② Grub Screw DIN 914, M6 x 12 mm
- ③ Connection Bolt 90°

Fast-Clamped Connection 0°
for PP / PU / PS



Fast-Clamped Connection 0°

for PP / PU / PS

- threaded bush, grub screw, bolt 0°
- 10 sets
Item no.: **209 147 0100**
- 50 sets
Item no.: **209 147 0101**

Twist Drill

- $\text{\O} 6 \text{ mm} / \text{\O} 10,4 \text{ mm}$
- Item no.: **400 090**

Matching Drill Template 2

Item no.: **290 015 0002**

Hexagon-Socket Screwdriver SW 3

- DIN 911
- Item no.: **931 150**

Fast-Clamped Connection 90°

for PP / PU / PS

- threaded bush, grub screw, bolt 90°
- 10 sets
Item no.: **209 147 0110**
- 50 sets
Item no.: **209 147 0111**

Twist Drill

- $\text{\O} 6 \text{ mm} / \text{\O} 10,4 \text{ mm}$
- Item no.: **400 090**

Matching Drill Template 2

Item no.: **290 015 0002**

Hexagon-Socket Screwdriver SW 3

- DIN 911
- Item no.: **931 150**

Fast-Clamped Connection 90°
for PP / PU / PS

